

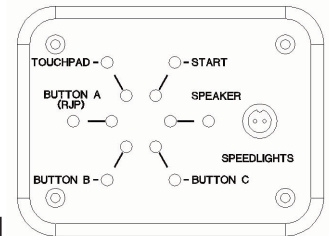
Quick Connect Deck Plate

The Quick Connect Deck Plate system from Colorado Time Systems keeps your pool deck free from cables and makes set up quick and easy.*

Connection hub under the starting block

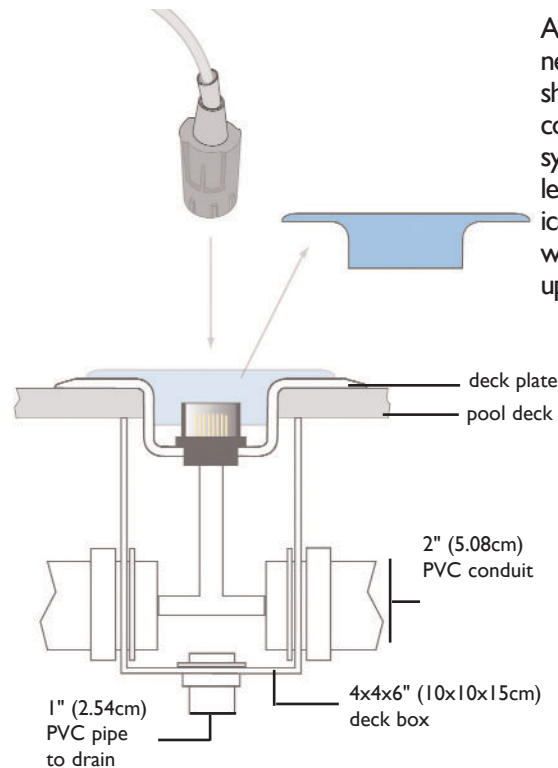
A connection hub under the block replaces the traditional deck plate as the place where all the electrical components plug in:

- relay judging platform
- touchpad
- speedlights
- individual lane speaker
- 3 backup buttons for judges



All electrical components, including connection hubs, speakers and relay judging platforms, are removable for dry, safe storage during non-practice/non-meet times.

Deck plate connector



A military connector with gold-plated connections is mounted in the pool deck. One short cable runs from this deck plate to the connection hub under the starting block. This system provides greater convenience and less possibility of corrosion from pool chemicals and water. The connector is covered when not in use to prevent corrosive build-up.

*The Quick Connect Deck Plate system (or an on-deck cable harness) is required to accommodate speedlights on the front of RJPs.

1551 East 11th Street, Loveland, CO 80537 USA ● phone: (970) 667-1000
fax: (970) 667-5876 ● shop online: <http://secure.coloradotime.com>



**Colorado
TIME SYSTEMS**
Making Time Count